

# Model 800



## Model 800\* - Designed for difficult lengthy pieces on a high-volume basis

The Model 800 is a Single Web V Machine ideal for packaging such items as golf clubs, transmission shafts, fishing rods, cutting blades, cabinet/trim moldings, and automotive body moldings. The machine uses one web of cold seal material to complete the package.

Economical in operation, the Model 800 cold seal system requires only modest electrical consumption with no special ventilation or complicated utility connections required.



**SYSTEM PACKAGING**

\*Model above shown with optional extended infeed table.

# Model 800

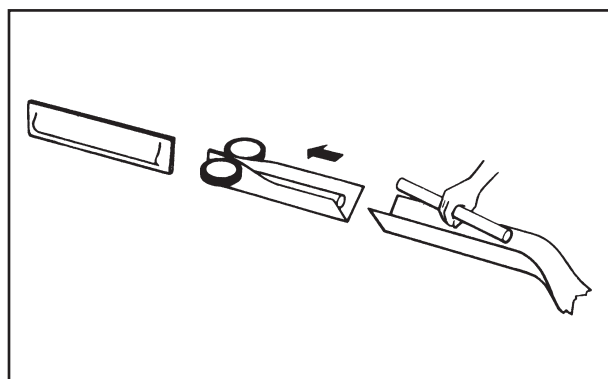
## SPECIFICATIONS

Model	DIMENSIONS			MAXIMUM SPEED (units per minute)	PACKAGE SIZE (ADJUSTABLE)		ELECTRICAL REQUIREMENTS
	L	D	H		Min.	Max.**	
800-12	188"	35"	52"	Up to 40	2" x 6"	12" x 48"	115 volts, 1 phase, 60 hz., 15 amps.*
800-18	188"	35"	52"	Up to 40	2" x 6"	18" x 48"	115 volts, 1 phase, 60 hz., 15 amps.*

\* Also requires an 80 PSIG air connection

\*\*Length with modifications Up to 20'

- ▶ Manual or automatic feed with delivery rates of up to 40 units per minute
- ▶ Suitable for use with paper or polyethylene
- ▶ Package sizes as narrow as 2", as wide as 18"
- ▶ 12" and 18" web widths
- ▶ Dial in length control system lets the operator vary package length in  $\frac{1}{10}$ " increments for utmost economy of material



## OPTIONS

- ▶ Electric eye cutoff
- ▶ Roll printer
- ▶ Thermal Transfer PTR
- ▶ Labelers
- ▶ Batch counter
- ▶ Infeed table extension
- ▶ Scoring wheel for single-face corrugated

## WEBS

- ▶ Poly
- ▶ Paper
- ▶ Micro Foam
- ▶ Single face corrugated



### SYSTEM PACKAGING

28905 GLENWOOD ROAD • P.O. BOX 109  
PERRYSBURG, OHIO 43552-0109  
419/666-9712 • FAX 419/666-8072  
E-MAIL: sales@systempackaging.com

A Division of Glassline Corporation

